



Jetion Solar (Thailand) Co.,Ltd

JT PPg

Multi-crystalline 156x156 Module

60 cells

Multicrystalline Module

16.9%

Max Efficiency

255-275W

Output Power

0~+5W

Power Tolerance



Key Features



High conversion efficiency

High module conversion efficiency, through innovative manufacturing technology.



Low-light Performance

Excellent module efficiency even in the weak light conditions, such as morning or cloudy.



Severe Weather Resilience

Certified to withstand : wind load (2400 Pascal) and snow load (5400 Pascal).



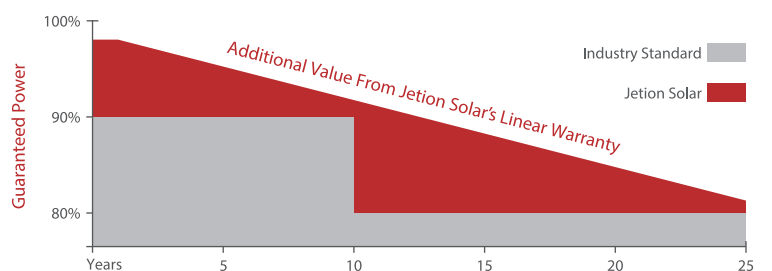
Durability against extreme environmental conditions

High salt mist and ammonia resistance certified by TUV SUD.



Linear Performance Warranty

10 Year Product Warranty / 25 Year Linear Power Warranty

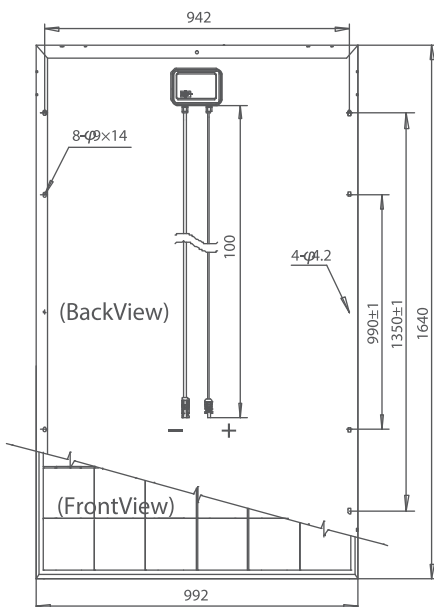
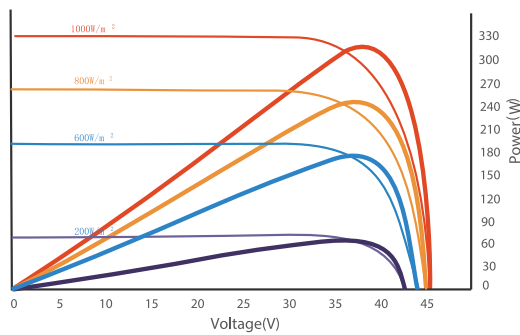


All specified Parameters are at STC 25 °C Ambient , 1000W/m² irradiance and AM 1.5

STC		Electrical Characteristics				
Type		JT255PPg	JT260PPg	JT265PPg	JT270PPg	JT275PPg
Module Power Range	(W)	255≤Pm<260	260≤Pm<265	265≤Pm<270	270≤Pm<275	275≤Pm
Max-Power	Pm(W)	255	260	265	270	275
Max-Power Voltage	Vm(V)	30.6	30.9	31.2	31.5	31.8
Max-Power Current	Im(A)	8.36	8.44	8.52	8.60	8.68
Open-Circuit Voltage	Voc(V)	37.8	38.0	38.2	38.4	38.6
Short-Circuit Current	Isc(A)	8.92	8.98	9.03	9.08	9.13
Module Efficiency	(%)	15.7	16.0	16.3	16.6	16.9
Pm Temperature Coefficients	(%/°C)			-0.42		
Voc Temperature Coefficients	(%/°C)			-0.34		
Isc Temperature Coefficients	(%/°C)			0.04		

Class AAA solar simulator (IEC 60904-4), electrical data measurement uncertainty is within ±3%

I-V Curves at different Irradiances



NOCT		JT270PPg	JT275PPg
Max-Power	Pm(W)	198.8	202.5
Max-Power Voltage	Vm(V)	28.9	29.1
Max-Power Current	Im(A)	6.88	6.96
Open-Circuit Voltage	Voc(V)	35.3	35.5
Short-Circuit Current	Isc(A)	7.32	7.36
NOCT Nominal Operating Cell Temperature		45±2 °C	

NOCT: Irradiance 800W/m², ambient temperature 20 °C, AM=1.5, wind speed 1m/s.

Absolute Ratings	
Dielectric Insulation Voltage	6000V
Operating Temperature (°C)	-40~+85
Max-System Voltage (VDC)	1000
Max.Series Fuse (A)	15
Maximum load rating	5400Pa(112.78lbf/ft ²)

Mechanical Parameters	
Cable type,Diameter and Length	4mm ² ,TUV certified,1000mm
Type of Connector	Compatible with MC4 plug
Number,type and arrangement of cells	60pcs, Multi-Crystalline Silicon(6x10)
Cell Size (mm)	156x156
Dimension (mm)	1640x992x35
Weight (Kg)	18
No.of Draining Holes in Frame	16
Glass,Type and Thickness	Low Iron,High Transmission,Tempered Glass 3.2 mm

Packaging Configuration	
Packing Configuration	30 pcs/box
Quantity/Pallet	60 pcs/pallet
Loading Capacity	840 pcs/40ft(H)

Specifications included in this datasheet are subject to change without prior notice.